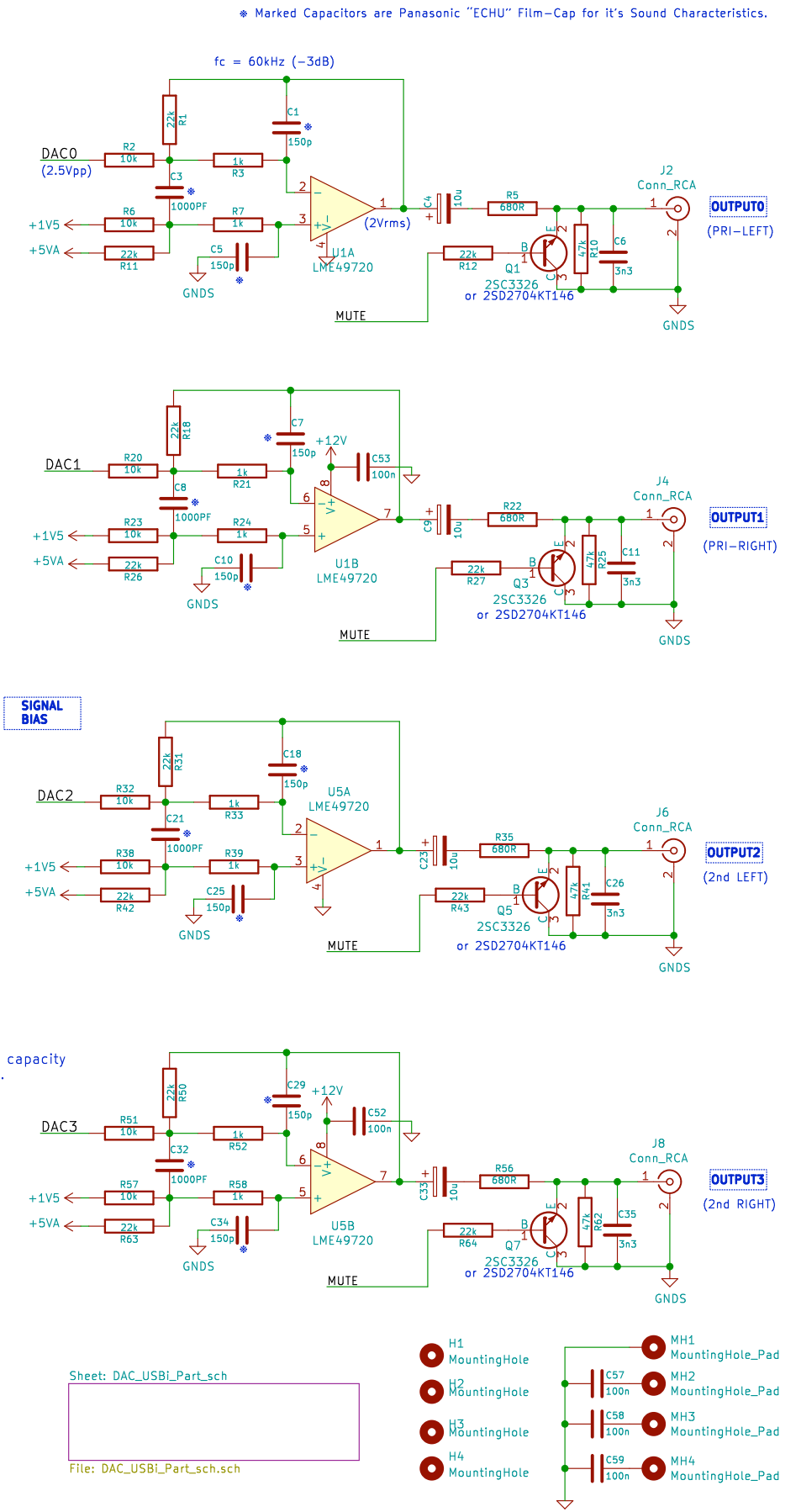
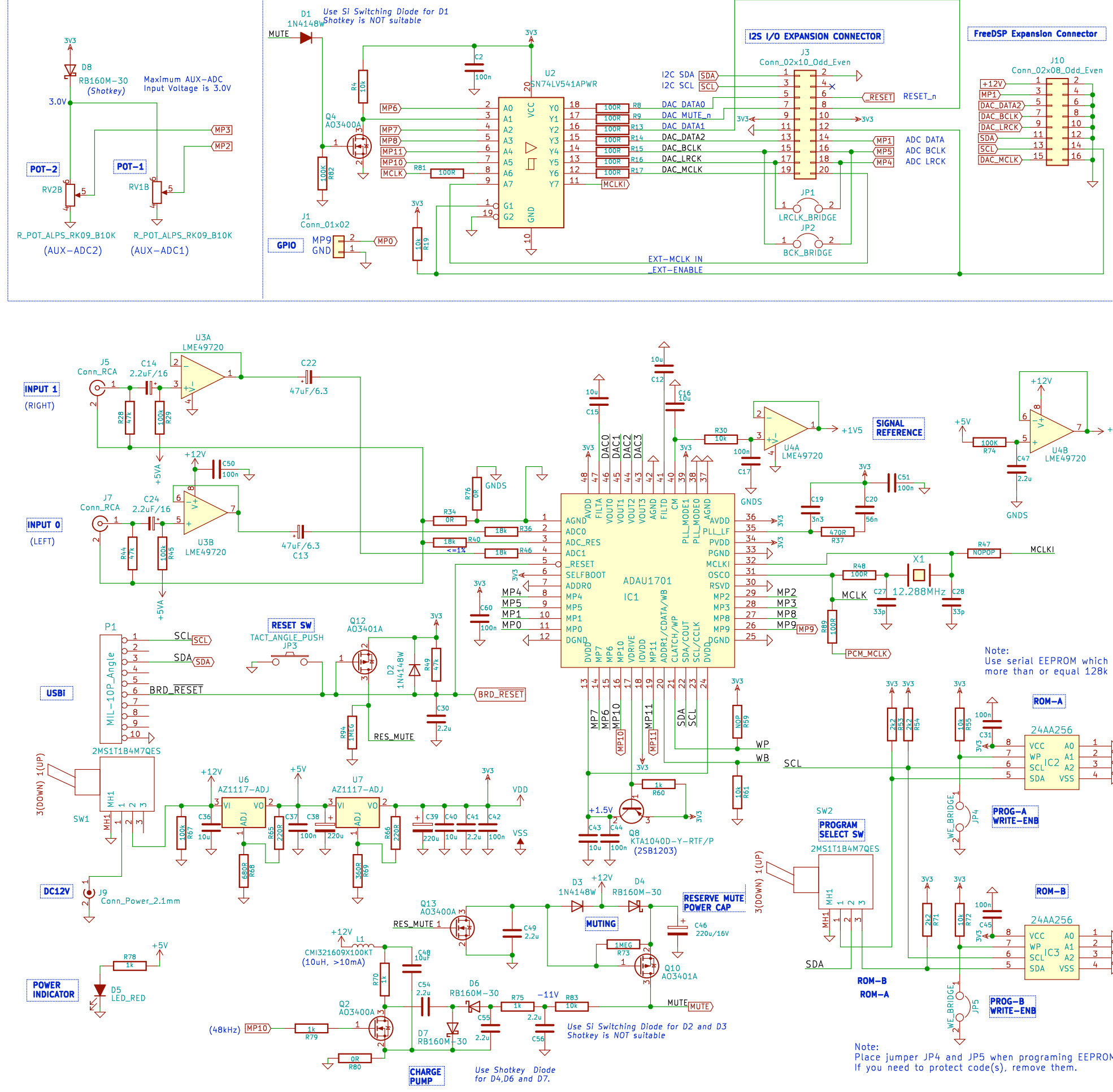


PARAMETER CONTROLS

OPTIONAL PART FOR I/O EXTENSION



Sheet: DAC_USBI_Part_sch
File: DAC_USBI_Part_sch.sch

- H1 MountingHole
- H2 MountingHole
- H3 MountingHole
- H4 MountingHole
- MH1 MountingHole_Pad
- MH2 MountingHole_Pad
- MH3 MountingHole_Pad
- MH4 MountingHole_Pad

FreeDSP ADAU1701 A/B Switchable SMD Board
Designed by Hiroshi Fukushima

<https://cyberpithilo.web.fc2.com/>
CyberPit HILO

Sheet: 1/1
File: FreedSP_SMD_AB_plus.sch
Title: FreeDSP Classic SMD A/B plus II (1of2)

Size: A3	Date: 2020-08-23	Rev: 0.1
KiCad E.D.A. eeschema (5.1.6-0-10_14)		Id: 1/2

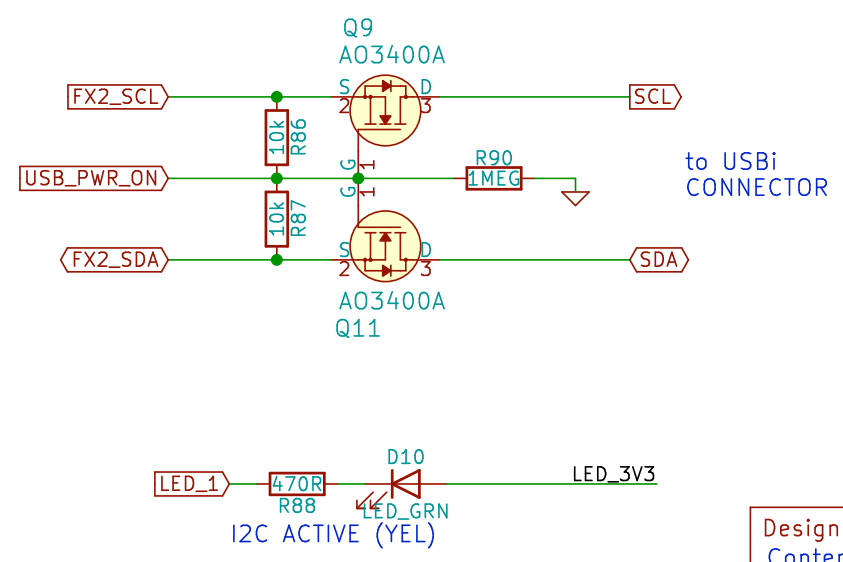
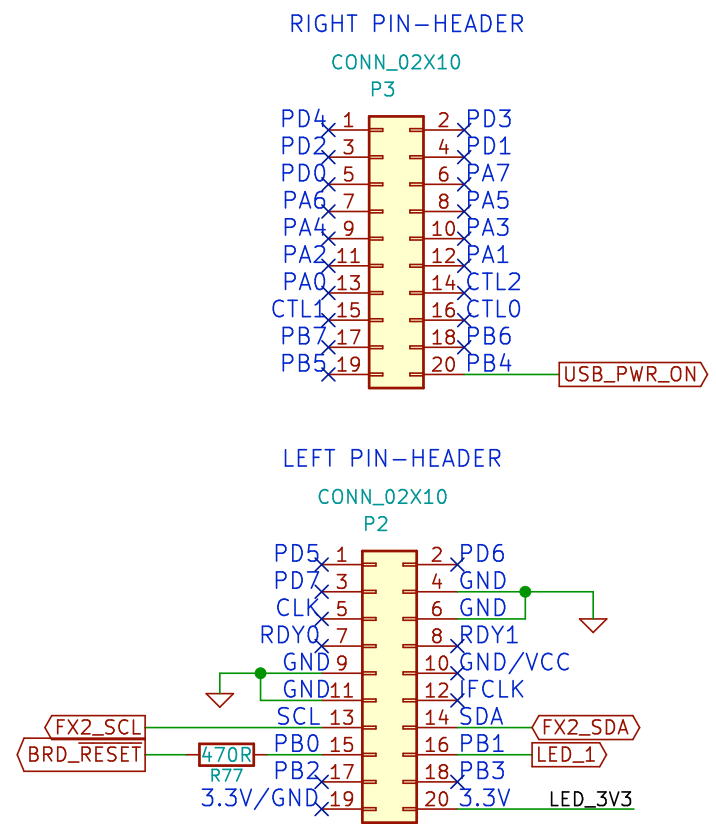
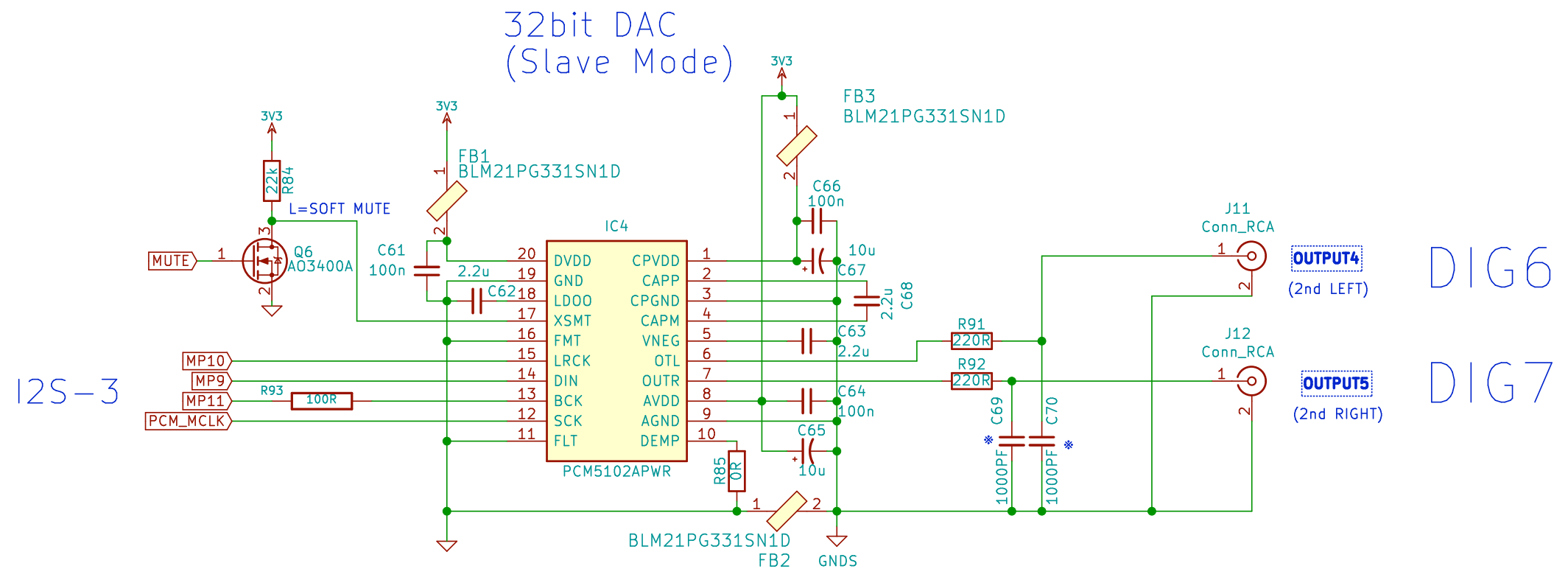
Note:
Place jumper JP4 and JP5 when programing EEPROM(Default)
If you need to protect code(s), remove them.

Note:
Use serial EEPROM which has capacity more than or equal 128k bits.

D1 Use Si Switching Diode for D1
Shotkey is NOT suitable

Use Si Switching Diode for D2 and D3
Shotkey is NOT suitable

Use Shotkey Diode for D4,D6 and D7.



Designed by CyberPit HILO 2020
 Contents of the website and freeUSBi design files (KiCAD) are licensed under a Creative Commons Attribution Share-Alike 4.0 license. This allows for both personal and commercial derivative works, as long as they credit freeUSBi and release their designs under the same license.

Sheet: /DAC_USBi_Part_sch/
 File: DAC_USBi_Part_sch.sch

Title: FreeDSP Classic SMD A/B plus II (2of2)

Size: A4	Date: 2020-08-23	Rev: 0.1
KiCad E.D.A. eeschema (5.1.6-0-10_14)		Id: 2/2